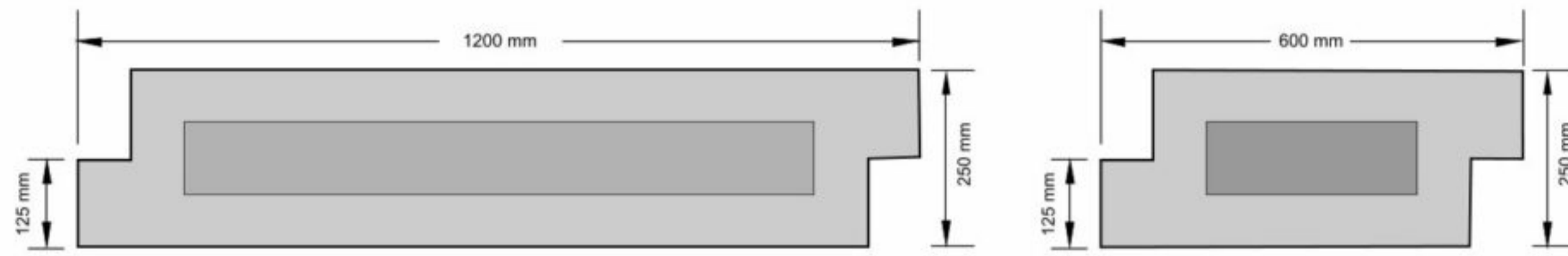


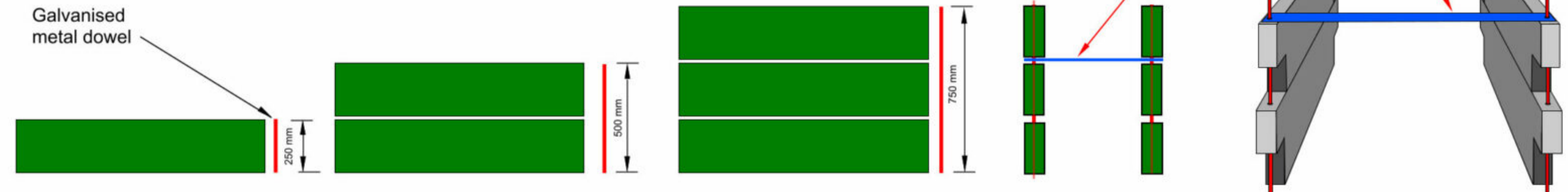
Back to Nature, let's Get Growing!

ASSEMBLY

Planter blocks: 600 mm and 1200 mm

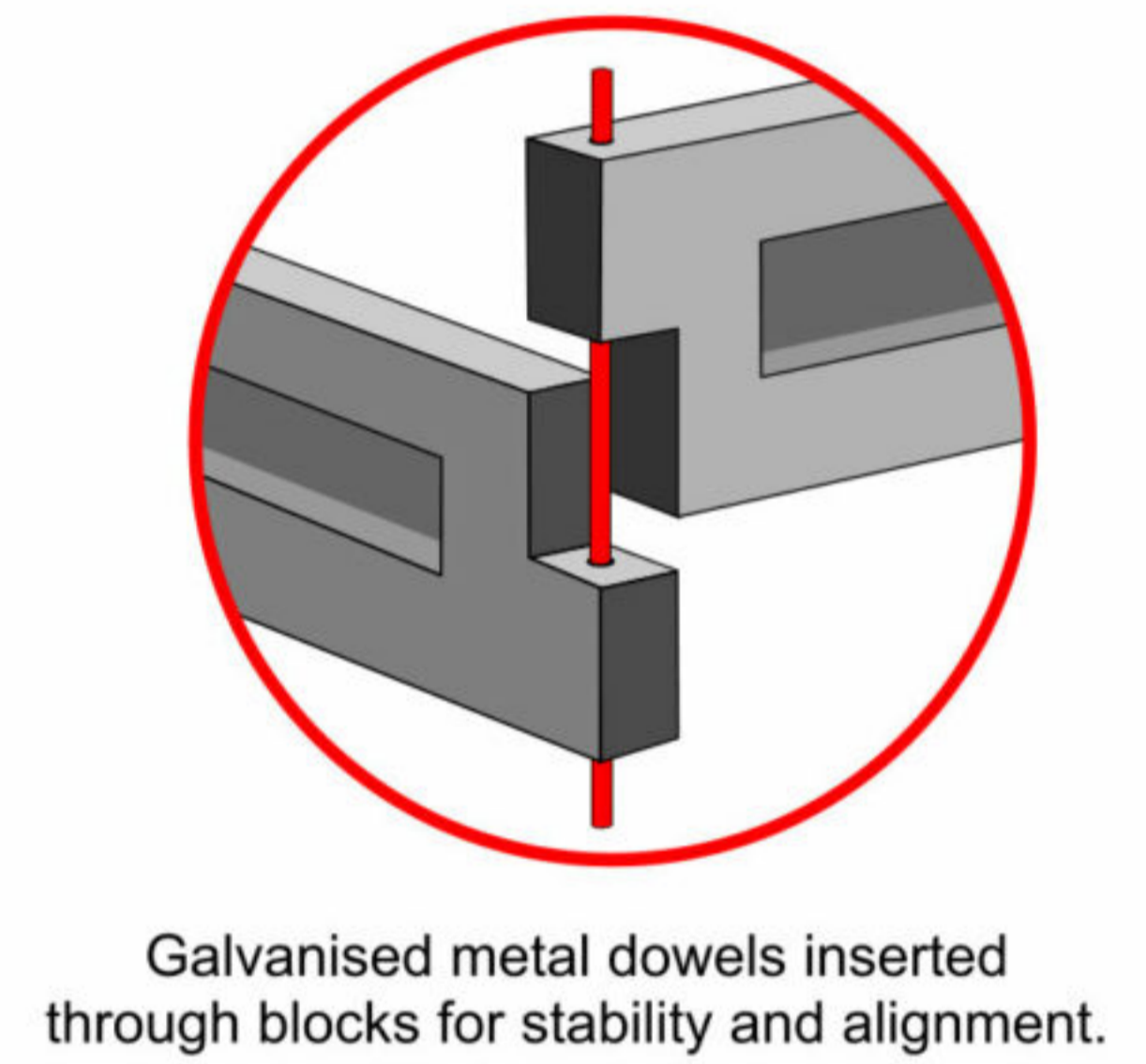
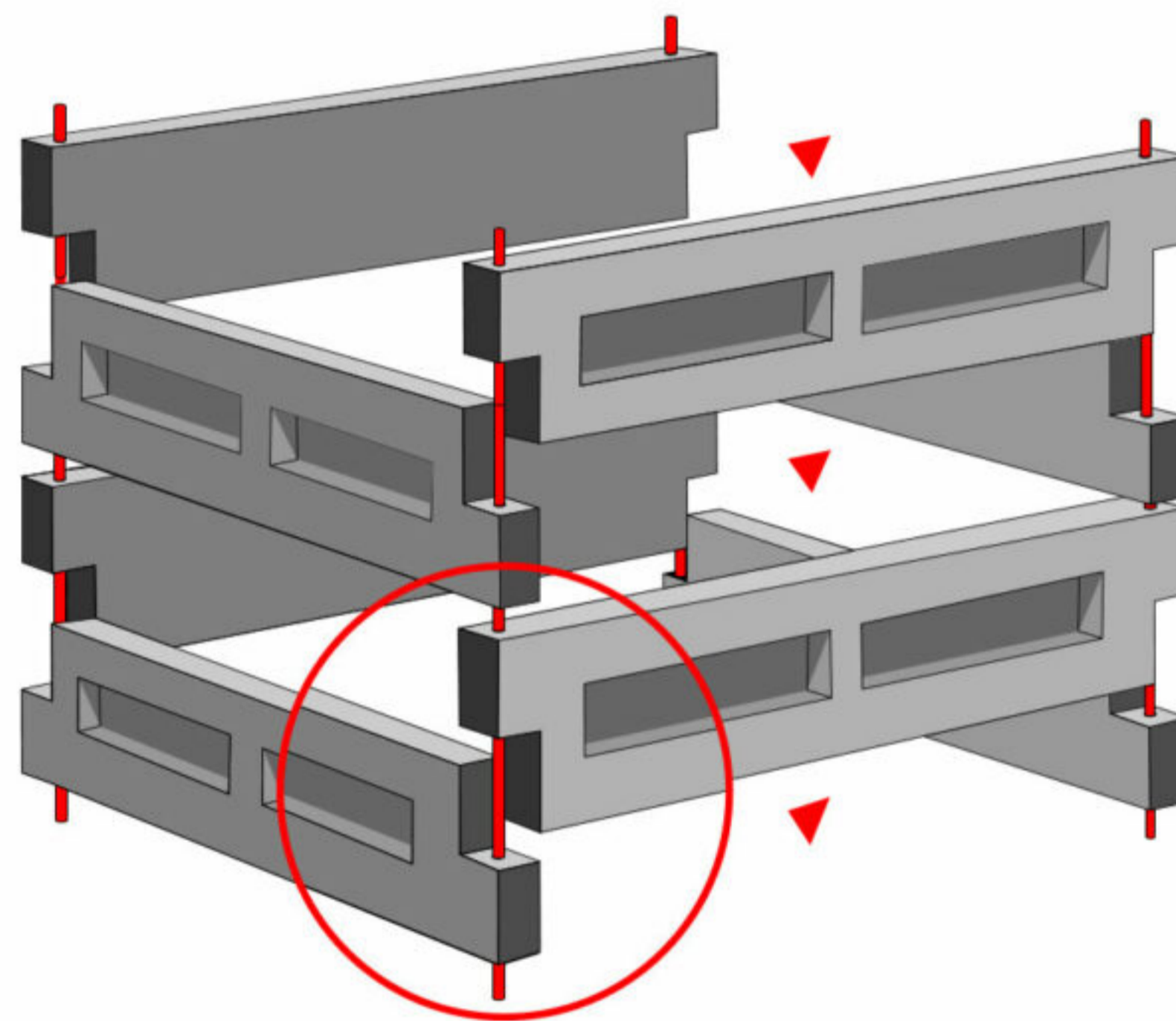


Galvanised brace for added stability in larger planters.



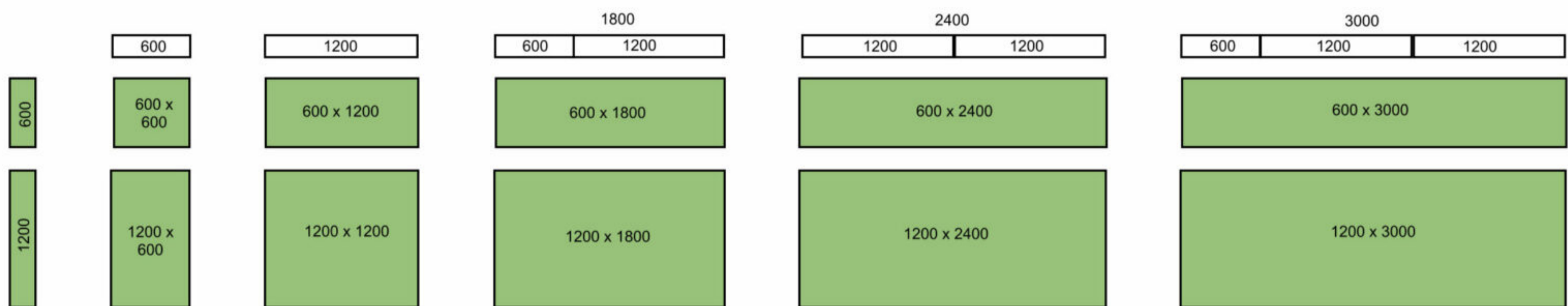
One, Two, Three layers or stepped planter blocks

Planter block assembly and alignment using galvanised metal dowels

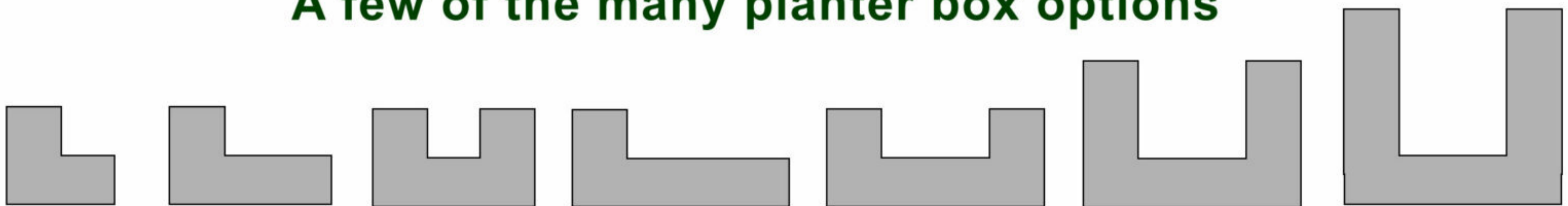


Galvanised metal dowels inserted through blocks for stability and alignment.

Planter block 600 mm and 1200 mm block combo dimensions



A few of the many planter box options



Manufacturers of Precast Products Since 1934

ALGOA
CEMENT.CO.ZA

Quality Products Delivered On Time

3 Chrysler Street, Markman Industria, Port Elizabeth, 6001 Tel: 041 461 2900 Fax: 041 461 2903

E-mail: reception@algocement.co.za www.algocement.co.za

